
DEFLATION

1. Remove the valves from the **AERO-FRAME**. Take care as poles will be under pressure.
 2. It may be necessary to remove some excess air from the **AERO-FRAME** before rolling up your tent. This can be done by carefully walking down the length of the tube towards the valve end.
-

zempire[®]
BY FREEDOM CAMPING

For a detailed description of all the features and specifications of this product please visit our website.

WWW.ZEMPIRECAMPING.COM

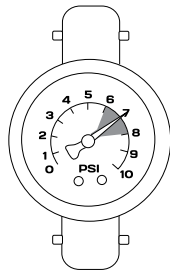
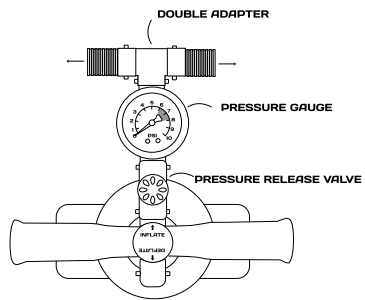
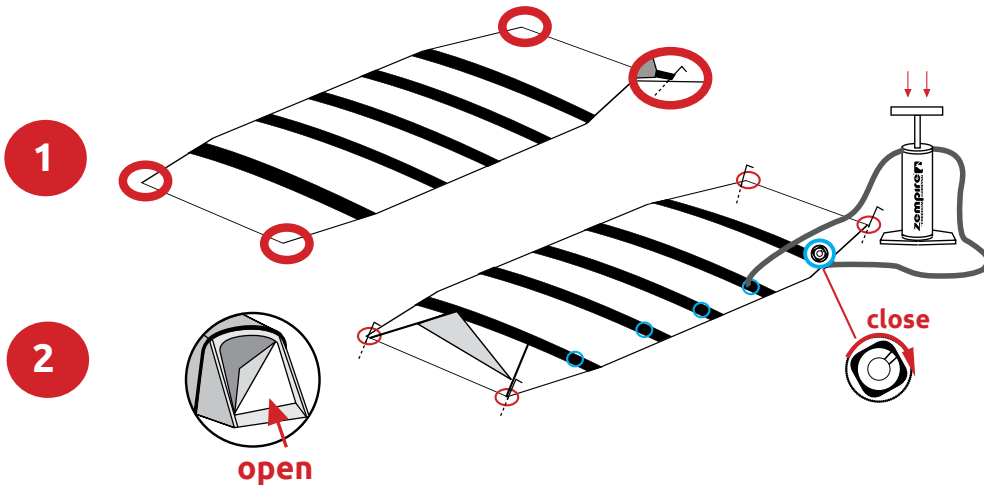
Tested in New Zealand. Made with care in China

AERO TXL
INFLATABLE SERIES

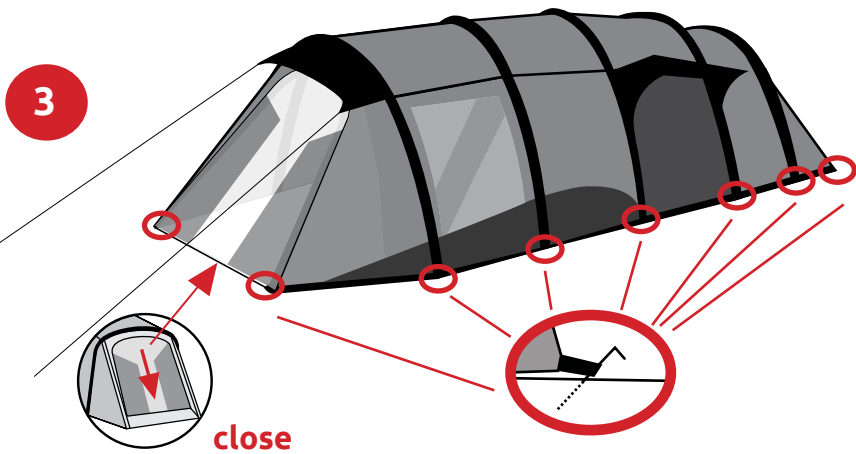
INSTRUCTIONS



zempire[®]
BY FREEDOM CAMPING



DO NOT INFLATE ABOVE 8PSI.



TAKING DOWN

